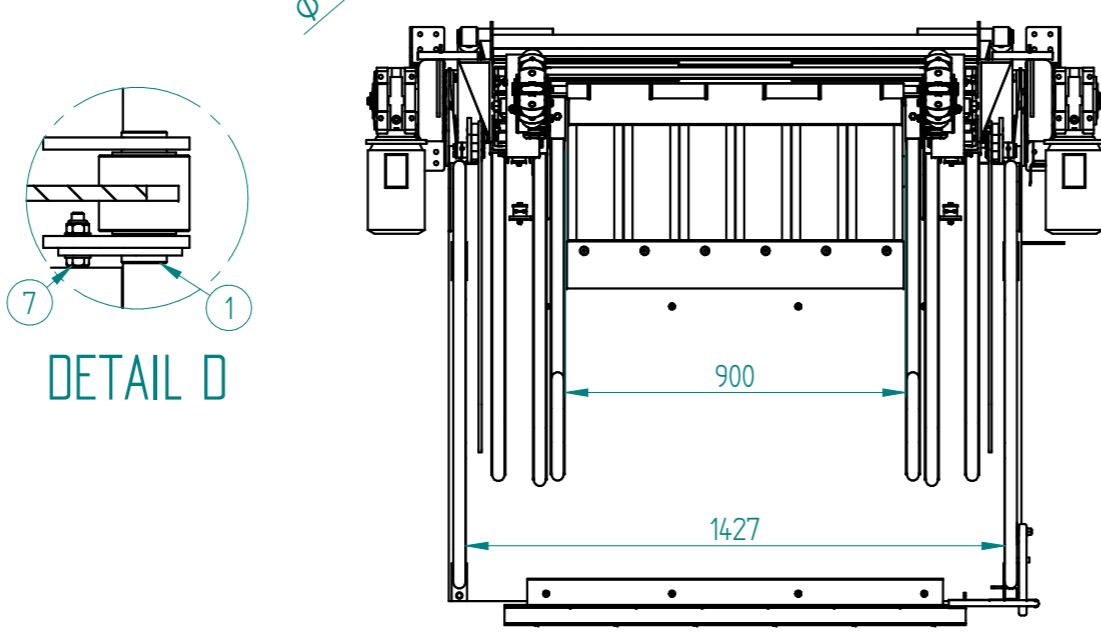
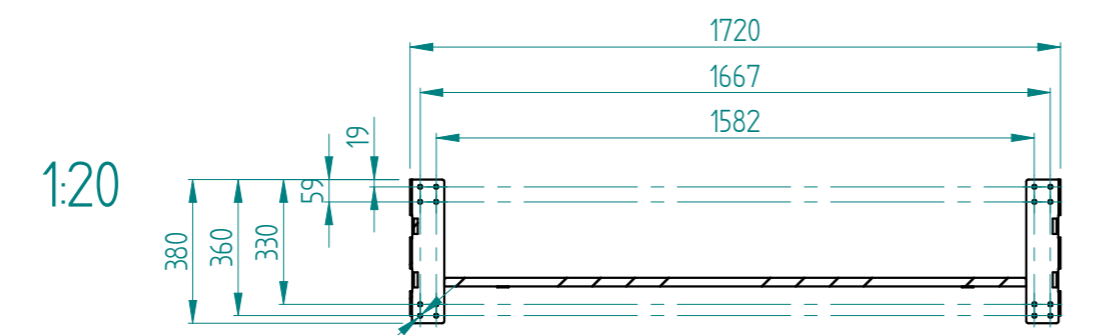
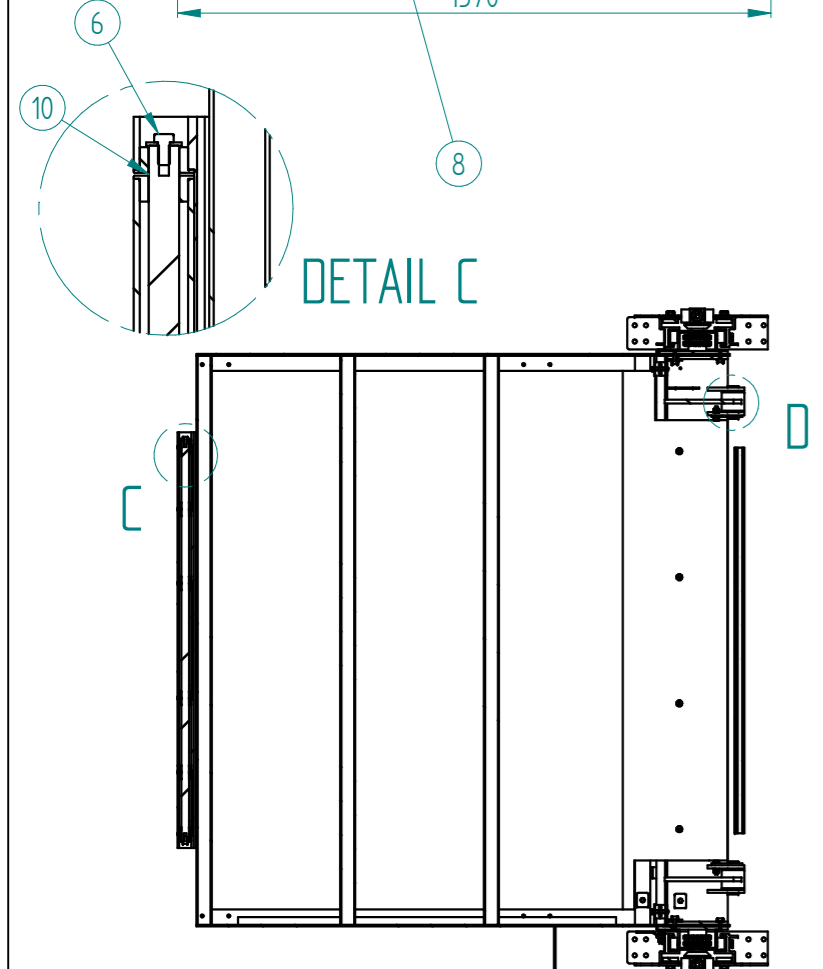
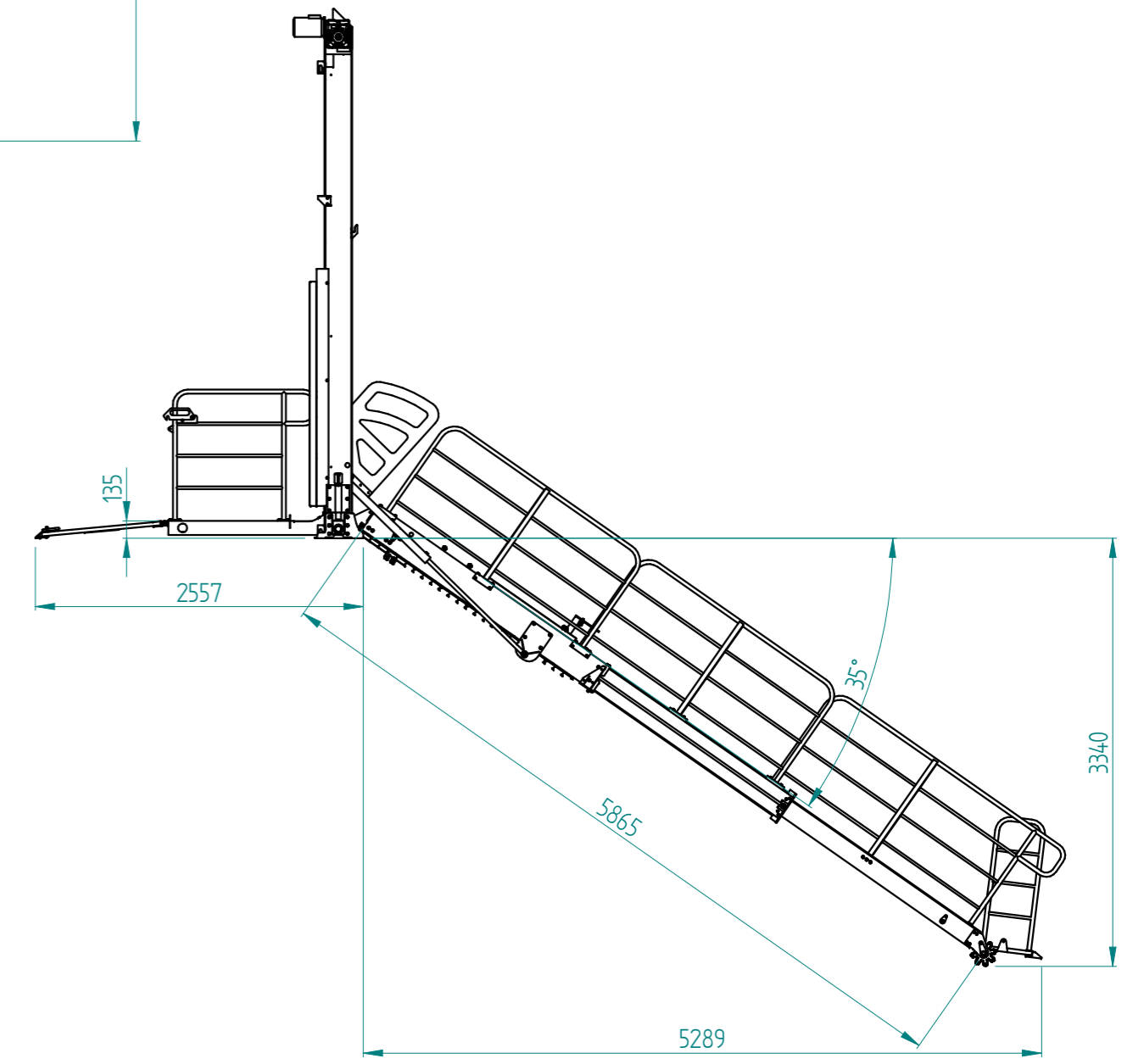
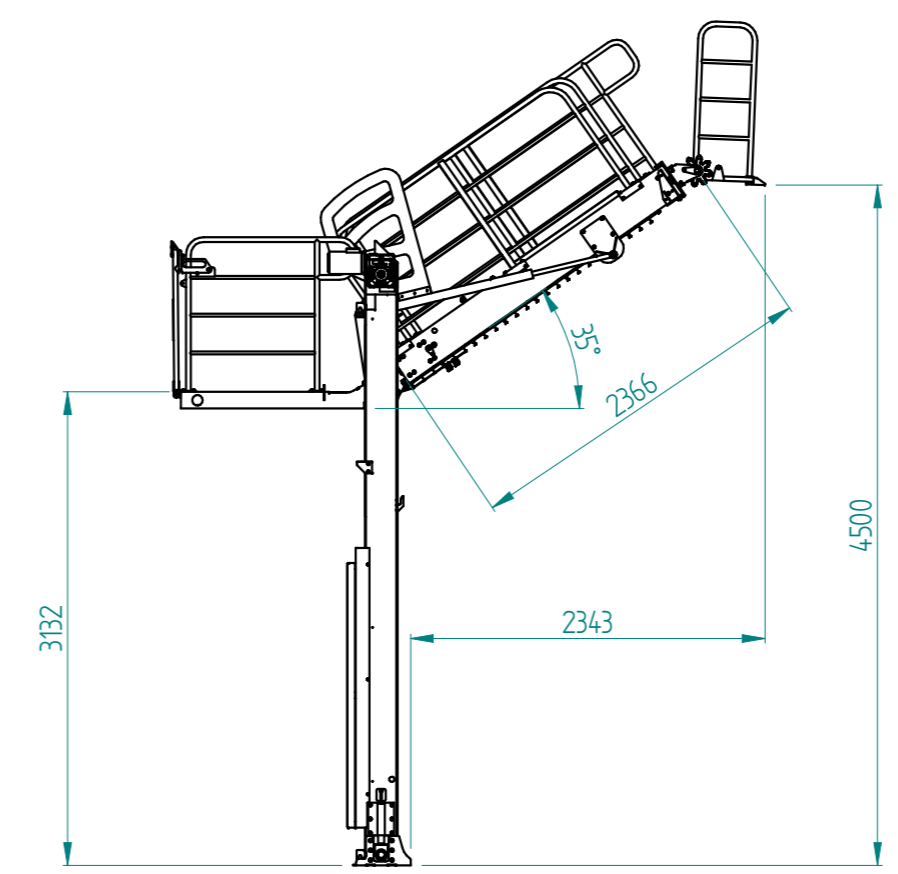
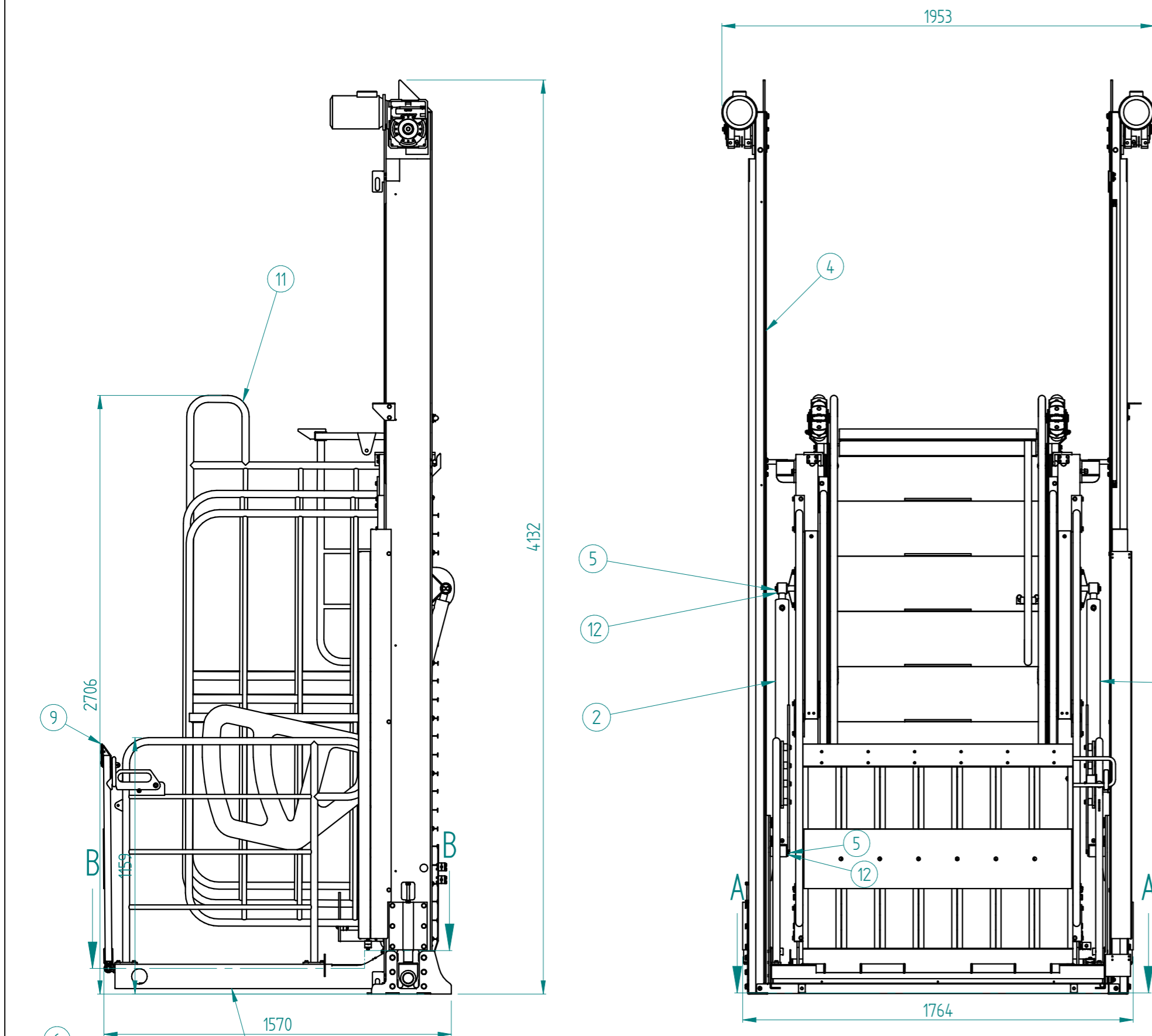


Rev.	Reason for issue.	Date	Drw.
A	Updated with lower parking position	03.10.17	FRN
B	Updated with lower parking position and shorter lifting columns	01.07.19	FRN



SECTION A-A
Footprint

Pos.	Qty.	Description / Dimensions	Material	Unit wt.	Drawing
12	4	Washer Ø40x5mm (2xM8)	AISI 316 L-2B	0,0 kg	I6060801
11	1	Telescope assembly		421,1 kg	I6113006
10	1	Shaft for ramp	AISI 316 L	2,7 kg	I6122001
9	1	Ramp assembly		25,2 kg	I6120512
8	1	Platform assembly		137,7 kg	I6120102
7	2	M8x30 L=13 ISO 4017 A4 (BWWN)		0,0 kg	
6	2	M8x15 ISO 4017 A4 + DIN 9021A (BW)		0,0 kg	
5	8	M8x15 ISO 4017 A4 (BW)		0,0 kg	
4	1	Lifting column-01-02		252,8 kg	I6120503
3	1	HC 50_30-1000_mir (90719-10)		33,5 kg	I6122005
2	1	HC 50_30-1000 (90719-10)		33,5 kg	I6122005
1	2	Bolt Ø30 L=77 C-C 44		0,6 kg	I6122002

Date: 01.07.2019	Design: Sv. Undertun	Designer: F.Næørø	UNDERTUN N-6260 SKODJE TLF. 70 24 48 48 FAX. 70 24 48 49
Location: Vandertun.no\Tegninge\Solid Edge Library\Standard Assemblies\Gangways\Gangway HSLCHC gangway\16112501_B.dwg		Document number: 16112501_B	

GA - HC gangway HD		Sheet Size: A2	Sheet Scale: 1:50
		Sheet: 1 of 1	Total Weight: 912,8 kg