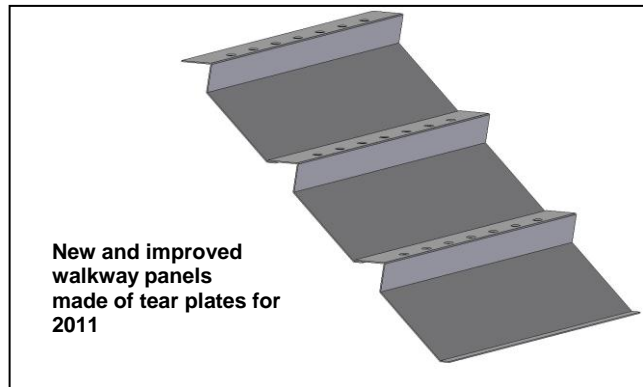
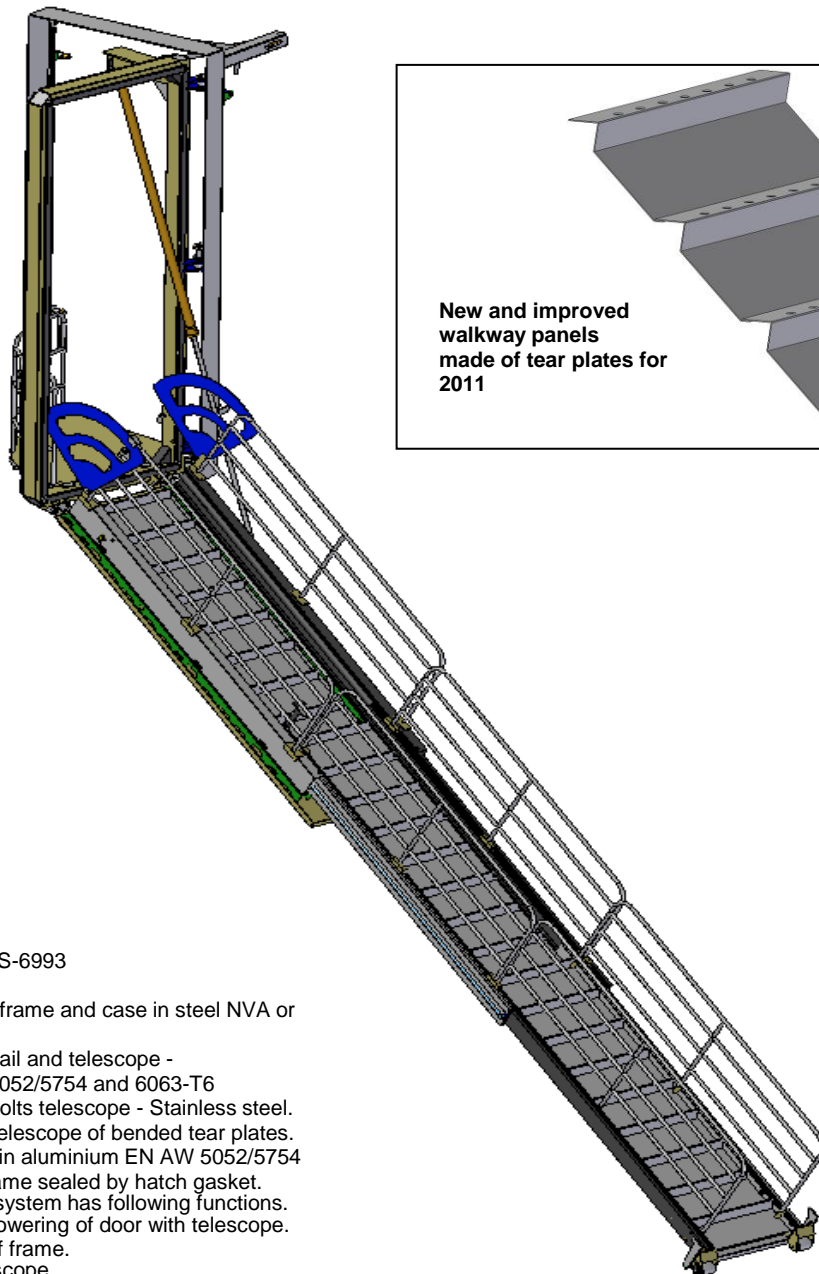


UIAS Gangway

For mercant ships and offshore ships



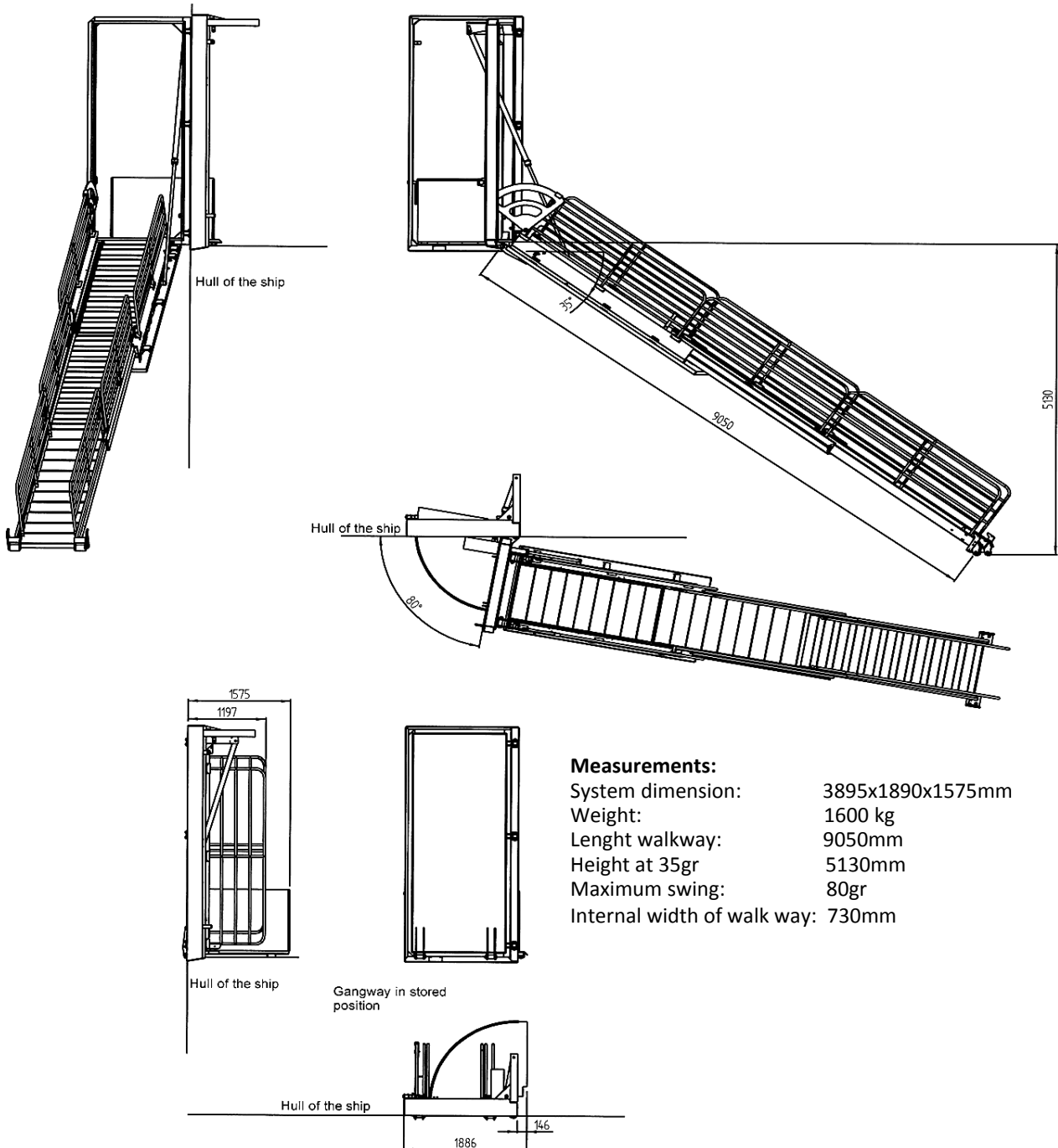
Description :

DNV Certificate No: S-6993

1. Door blade, swingframe and case in steel NVA or equivalent.
2. Swingplate, handrail and telescope - Aluminium EN AW 5052/5754 and 6063-T6
3. Fastening parts, bolts telescope - Stainless steel.
4. Walkway panel / telescope of bended tear plates.
5. Hydraulic cabinet in aluminium EN AW 5052/5754
6. Door and swingframe sealed by hatch gasket.
7. Hydraulic control system has following functions.
 - a) Hydraulic open / lowering of door with telescope.
 - b) Hydraulic swing of frame.
 - c) Launching of telescope.
 - d) Free float function against quay.
 - e) Adjustable pressure- and flow function.
8. Hydraulic cabinet contains:
 - a) Aggregate
 - b) Hand operated valves
 - c) Cabinet for el.conection.
 - d) 230-460V
 - e) 2,2 Kw-50Hz / 2,6 Kw-60Hz
 - f) Heat dissipartation to air max 530W
9. All hydraulic in door are completely conected and tested. Integrated in the system.

UIAS Gangway

For mercant ships and offshore ships



- Measurements:**
- System dimension: 3895x1890x1575mm
 - Weight: 1600 kg
 - Lenght walkway: 9050mm
 - Height at 35gr: 5130mm
 - Maximum swing: 80gr
 - Internal width of walk way: 730mm